

ClariTec

Pond One[®]

**Models: 3000UV / 5000UV / 10000UV / 15000UV
3000 / 5000 / 10000 / 15000**



Instruction Manual

Important Safeguards

WARNING: The Ultraviolet globe used in this unit produces harmful ultraviolet radiation. So caution needs to be taken as follows. Never look directly at the lamp, as damage to your eyes will occur. Always disconnect the power supply before opening the unit for service. Failure to do so will expose the user to harmful UV light. (Models 3000/5000/10,000/15,000UV)

A quick glance to ensure it is working is harmless.

WARNING: To guard against injury, basic safety precautions should be observed, including the following:

This appliance is not intended for use by persons (including children) with reduced physical, sensory or mental capabilities, or lack of experience and knowledge unless they are supervised adequately by a responsible person to ensure that they can use the appliance safely. Children should be supervised to ensure that they do not play with the appliance.

Read and follow all safety instructions before using this appliance. There maybe additional electrical safety instructions relevant to your country on page 5.

Warning: To avoid possible electric shocks, special care should be taken where water and electricity are combined, for each of the following situations do not attempt repairs yourself. Return the appliance to an authorised dealer for servicing.

If you have any doubts about the electrical installation you should consult a qualified electrician. Please observe local laws and regulations regarding the installation of ponds and pond equipment. Always abide by these regulations. If in any doubt please consult your local government planning department or authority.

This appliances is intended for outdoor garden pond use only, don't use the appliances for any other purpose. The appliances must be installed with a residual earth leakage circuit breaker (RCCB OR RCCD of 30mA in the supply line to the appliance.

If the appliance shows any sign of abnormal water leakage or malfunction, immediately disconnect it from the power source. Do not attempt repairs yourself.

Carefully examine the appliance after installation. It should not be plugged in or connected to the mains power supply when there is water present on parts which are not supposed to be wet.

Do not operate the appliance if it has a damaged power supply cord or plug, or it is malfunctioning, or has been dropped or damaged in any manner.

If the plug or socket does get wet, do not unplug or disconnect the appliance from the socket. Disconnect the fuse or circuit breaker that supplies the power to the appliance, then unplug and examine for presence of water in the socket.

To avoid the possibility of the appliance plug or mains connection socket getting wet, position the switch box or outdoor weather proof socket at least 2 metres from the pond side. It should also be raised above possible flooding zones.

Always disconnect the appliance from the electrical outlet when not in use, before putting on or taking off parts, before any type of maintenance or cleaning. Never yank or use the power cord to pull it from the outlet or from the pond. Only carry by the main appliance body.

NEVER CARRY THE FILTER BY THE ELECTRIC SUPPLY CABLE THIS WILL DAMAGE THE UV-C AND MAKE IT UNSAFE.

Do not use the appliance for reasons other than the intended use. The use of attachments that are not sold or recommended by the appliance manufacturer may cause the product to be unsafe. We strongly recommend against it.

Do not install or store the appliance where it will be exposed to weather or temperatures below freezing.

Read and observe all the important notices on the appliance type plate.

Maximum main power supply 10 meters.

The appliance comes with 10 meters of mains power cable. It should not be extended (UV models only)

The external flexible cable or cord of this UV-C cannot be replaced. If the cord is damaged the UV-C should be scrapped.

Appliance shall only be used with rated voltage and frequency. 220 - 240V~50HZ

For Guarantee Conditions, please refer to the Guarantee form on page 15 of this instruction manual.



Warning:

This appliance must not be disposed of together with domestic waste. It must be disposed of at an authorised centre set up for the recycling of electrical and electronic appliances. By collecting and recycling waste, you help save our natural resources. Please Make sure this product is disposed of in an environmental friendly and safe way.

Before First Use / Preparation

Read and follow all the instructions, even if you feel you are familiar with the product. Find a place to keep the instructions handy for future reference. Your attention is drawn particularly to the sections concerning “**IMPORTANT SAFEGUARDS**” and the “**POND ONE GUARANTEE**”. Please ensure you retain your original purchase receipt in the event that guarantee service is required.

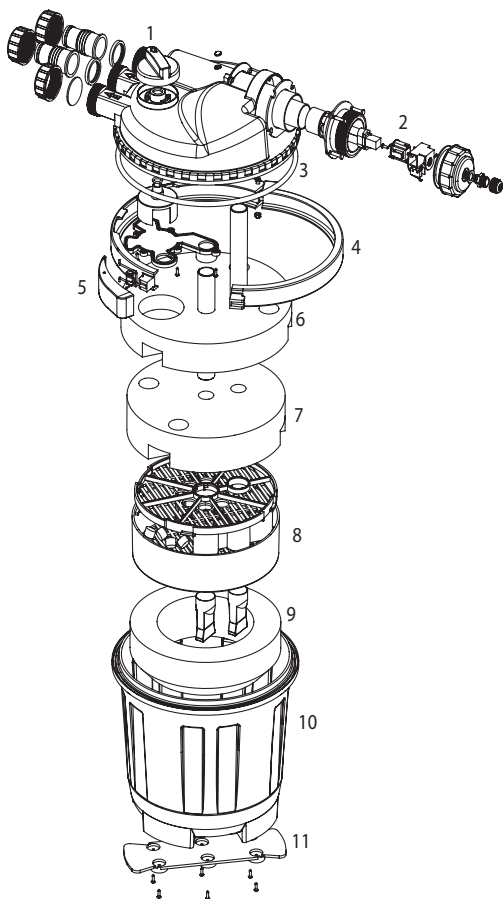
Carefully unpack the Filter making sure you keep all the packing material until all the parts of the product have been found and the product has been assembled.

This product is shipped to you in a factory sealed carton. Should the product malfunction in any way or if the unit is damaged and requires replacement, contact the retailer where the product was purchased for inspection.

The plug supplied with this product is a sealed plug and we do not recommend removing or changing it.

The external flexible cable or cord of this UV-C cannot be replaced. If the cord is damaged the UV-C should be scrapped.

Know Your Filter



1. Cleaning Controller

2. Ultra Violet Clarifier

(only with models 3000UV/5000UV/10000UV/15000UV)

3. O-Ring

4. Clamping Ring

5. Clamp Lock

6. Fine Filter Pad 25ppi

7. Medium Filter Pad 20 ppi

8. Super Bio Chamber

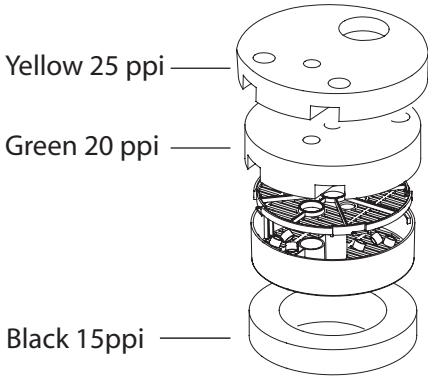
9. Coarse Filter Pad 15 ppi

10. Canister

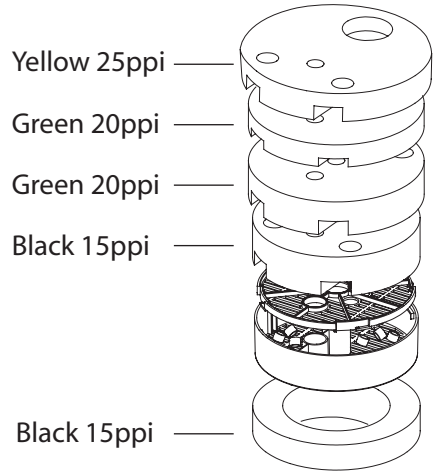
11. Opening Assist Foot Plate

Media Setup Guide

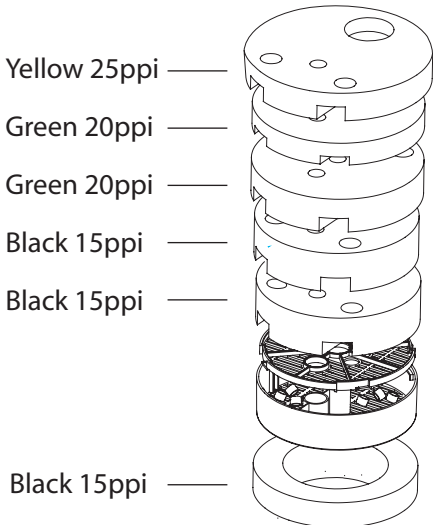
3000/3000UV



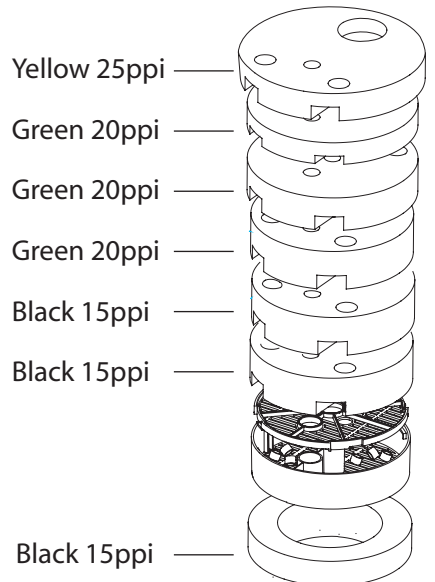
5000/5000UV



10000/10000UV



15000/15000UV



Connecting your appliance to the mains electricity supply

- Country specific instructions

Always check local government regulations prior to installing your Pond One product

United Kingdom

According to government guidelines pond equipment intended for permanent installation outside must be supplied without a fitted plug.

These appliances are intended for connection to or hard wiring to the mains supply by means other than a conventional plug and socket.

This means either a suitable specialist weather proof outdoor socket or a hard wired socket indoors must be used. All cables from the appliance to the socket should be led through a suitable approved conduit and buried in the ground or raised above the ground. For ease of visibility, thus avoiding accidental damage from actions like digging of the ground or mowing of grass.

An approved earth leakage circuit breaker (RCCB) or otherwise known as an Residual Circuit Current Device (RCCD) must be fitted in the electricity supply line.

The appliance should be connected to the mains supply using the following colour coding. Refer to Diagram 1

Red or brown wire - to the live connection 'L'

Blue or black wire - to the Neutral connection 'N'

Green with Yellow stripe wire - to the Earth connection 'E'

IF YOU ARE IN ANY DOUBT ABOUT INSTALLING YOUR APPLIANCE YOU SHOULD CONSULT A QUALIFIED ELECTRICIAN.

Australia, New Zealand and Hong Kong

In Australia, New Zealand and Hong Kong all products are supplied with fitted plugs. This plug should **NOT** be tampered with in any way or removed. Removal or tampering with the plug invalidates our guarantee offered with this product.

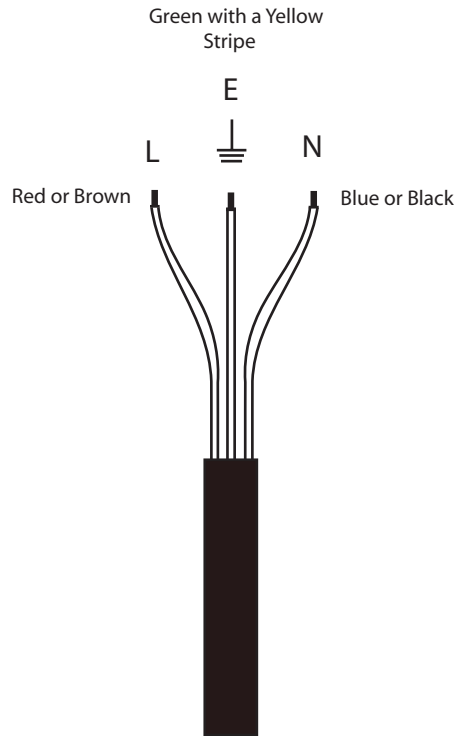
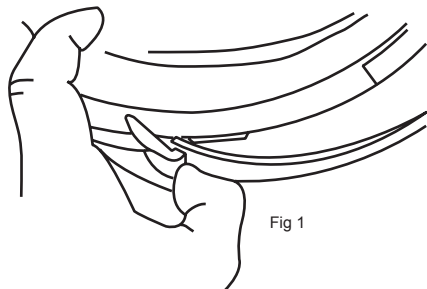


Diagram 1

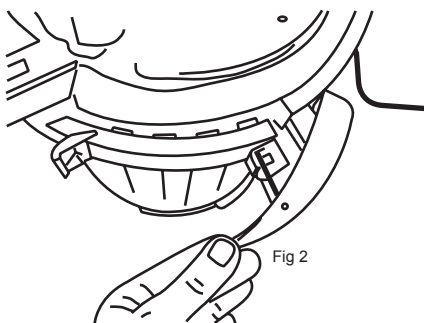
Setting Up Your Filter

1. Prior to installing the ClariTec you must first ensure the O-Ring which seals the filter is in place and wash the filter media.

2. To open the filter release the safety clip which locks the handle on the clamping ring. Fig 1



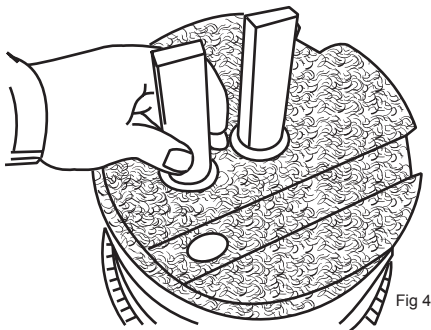
3. Lift the release handle and remove the clamping ring. Fig 2



4. To remove the lid place your two feet on the opening assist foot plates, which are at the base of the filter canister. Grasp the lid with two hands and lift off. Fig 3



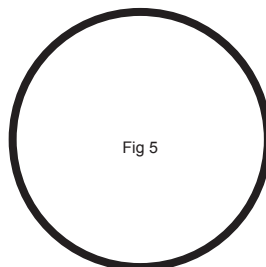
5. Turn the lid over and remove the plastic waste removal pipe and delivery pipe from the filter lid. Remove the sponges from the filter lid and media basket and sponge from within the canister. Fig 4



6. Rinse the filter media and canister out with tap water **DO NOT USE SOAP OR DETERGENTS TO RINSE YOUR MEDIA.**

7. Place the sponges back onto the lid and refit the waste removal pipe and delivery pipe to the plastic tubes. Reinsert the black sponge and CeramiSub back into the canister. Refer to page 4.

8. The sealing O-Ring sits on the rim of the canister body. This is a vital part of the filter and it is important that it is installed correctly. It is lubricated during production, however it is important that it is re lubricated using a pond safe lubricant when ever the filter is disassembled. Replace it periodically if it shows any signs of deterioration. Fig 5



Setting Up Your Filter

9. Place the O-Ring in the channel at the top of the canister. Fig 6

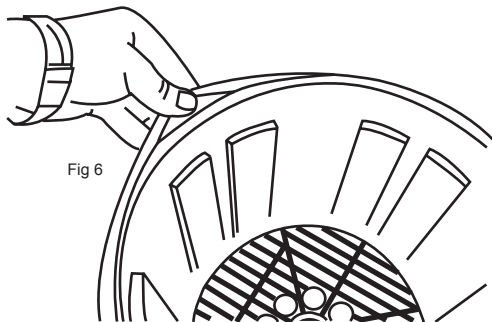


Fig 6

10. Line the waste removal pipe and delivery pipe up with the two holes in the top of the media basket. Press the lid of the unit down firmly. Fig 7

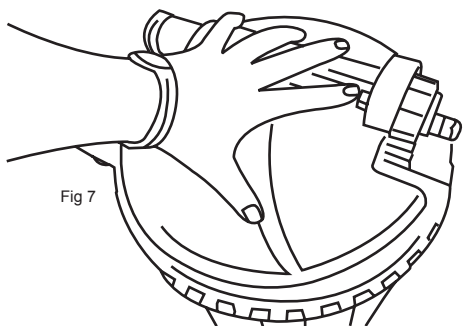


Fig 7

11. Replace the clamping ring. Line the cutouts in the clamping ring up with outlet, inlet and waste removal outlet and close the clamping ring. Fig 8

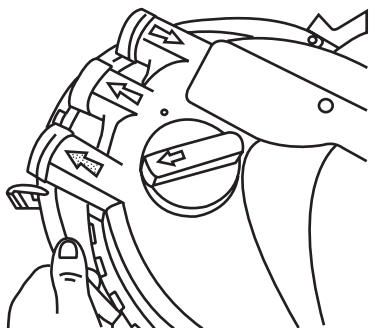


Fig 8

12. Your ClariTec Filter is supplied with a stepped hose tail to take a number of different sized hoses. You should always use the largest hose size possible to minimise flow loss in the pipes through frictional loss. We recommend using 1 1/4" (32mm) or 1 1/2" (37mm) hose. **PLEASE ENSURE** you cut off the smaller hose sizes from your stepped hose tail that are not being used. (A hack saw is recommended for this) Failure to do this will result in significant flow loss.

13. Place the stepped hose tail through the female threaded nut, place your hose clamp over the hose and then push your chosen hose over the hose tail. The hose must always be secured by a suitable clamp. Failure to do this could result in the hose being pushed off by the power of the pump. Fig 9

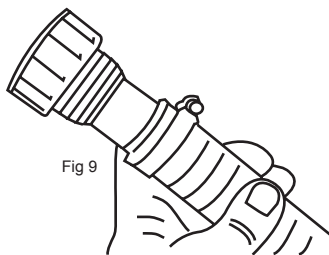


Fig 9

14. Once complete screw one hose tail onto the outlet of your filter, marked with the arrow pointing away from your filter (middle). And the second onto the inlet marked with the arrow facing towards the filter (left). Fig 10

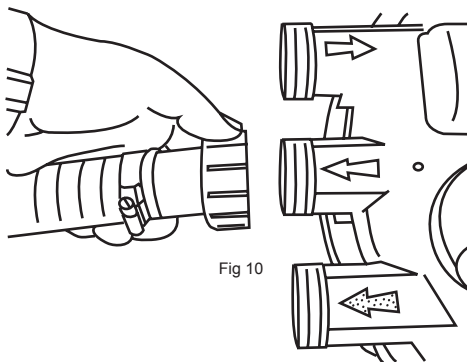
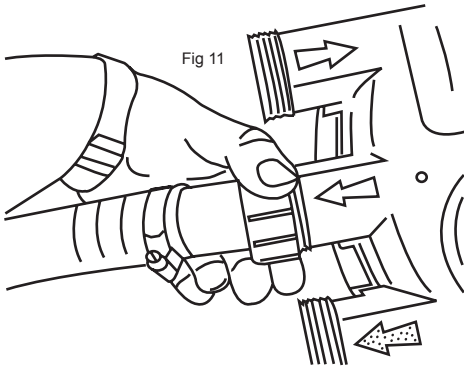


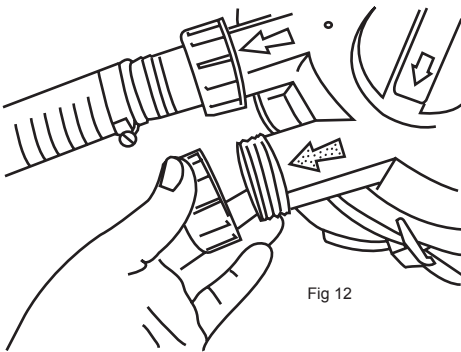
Fig 10

Setting Up Your Filter

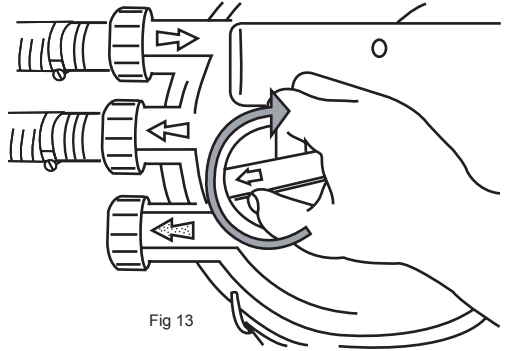
15. Please Note: Tighten the nut hand tight. **NO TOOLS ARE REQUIRED.** Fig 11



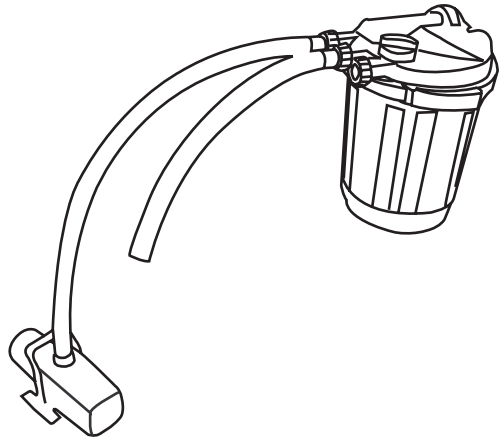
16. In your accessory bag you will also find a blank nut. This is placed on the waste outlet to prevent any leakage which may occur. Hand tight will do. Fig 12



17. Your cleaning controller is located at the top of your filter, this unit allows you to switch between filtration mode and back wash mode. For normal operation the arrow on the control knob should be pointing to the center outlet. Fig 13



You are now ready to position your filter. Attach you pump and position it, keep in mind the longer your hoses the slower the flow rate. Keep hose lengths to a minimum and position your pump away from the outlet of your filter.



CAUTION:

- NEVER** run the UV-C without water passing through the unit.
- Small rocks may damage the unit. Therefore ensure the area where your pump sits is free from all small solid objects and does not draw them into the unit.

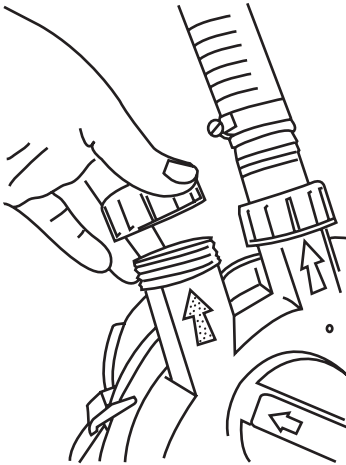
Backwashing Your Filter

In order to keep your filter performing well we advise you check the flow rate of the unit on a regular basis. Remember in some cases it may be the pump which requires maintenance rather than the filter. Check your instruction manual for cleaning and maintenance directions for your pump.

Perform a back wash on your filter regularly. Depending on stock level, flora and the surrounding environment your unit may require cleaning more frequently. Use the waste water to water your garden or simply run the hose to the drain.

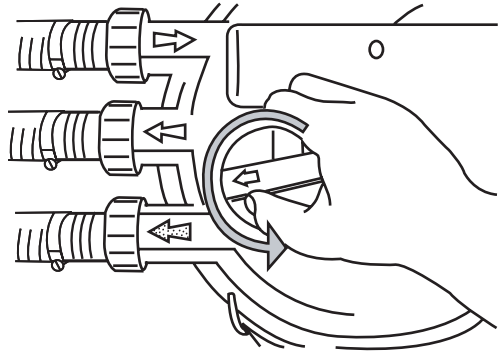
To start the backwash remove the cap on the waste outlet and connect the spare clear hose tail with a hose attached. Fig 1.

Fig 1



Turn the cleaning controller so the arrow is pointing towards the waste outlet where the clear hose tail has been connected. Fig 2.

Fig 2



Drain pond to desired level or until the water running out of the clear hose tail is clear.

Disconnect the clear hose tail and replace the waste outlet cap. Turn the cleaning controller back to its original position. **CAUTION: Do not leave the pond unattended whilst the filter is being backwashed as the pump could drain the pond completely of water.**

When ever water is added to the pond ensure a quality water conditioner is used to remove any chlorine or chloramines from the tap water.

Should your filter require further cleaning turn the power off to both the UV-C and Pump and remove the screw on hose tails. Follow the instructions under the heading "Setting up your Filter" in order to open and clean your filter.

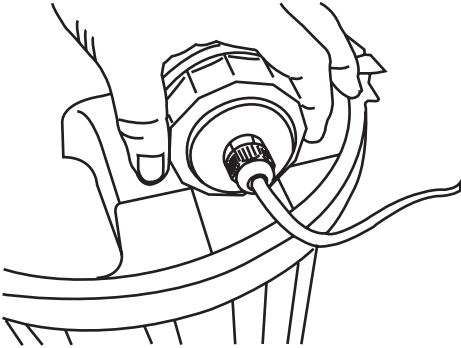
DO NOT USE DETERGENTS AS THE USE OF THESE WILL BE POTENTIALLY LETHAL TO POND INHABITANTS.

Place some water from your pond into a bucket and simply squeeze the sponges out in the bucket. Do the same with the CeramiSub. Leave them in the plastic basket and dunk them into the water several times. Then reassemble your filter.

Replacing/Cleaning the UV-C

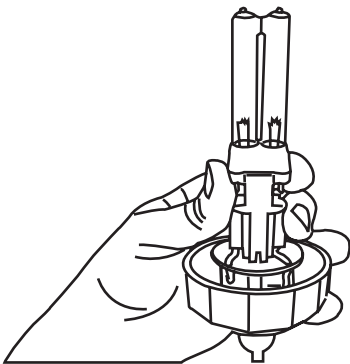
YOU MUST DISCONNECT THE POWER SUPPLY BEFORE CARRYING OUT ANY MAINTENANCE WORK OR HANDLING THE FILTER OR PUMP IN ANY WAY.

You do not need to open the filter in order to replace the UV globe. However there must be no water running through the unit. Turn the lid of the UV-C anti clock wise to remove it from the unit.



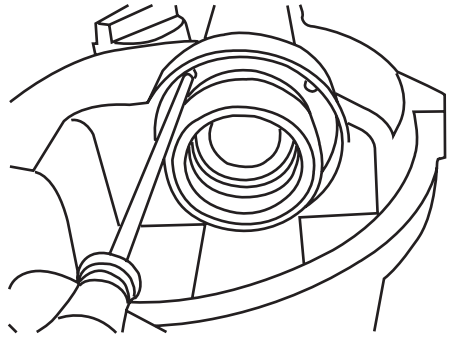
Replace the UV globe every 12 months or at the beginning of every summer season as the spectrum of light changes over time and its efficiency is greatly reduced.

DO NOT touch the glass section of the UV globe. Remove it by grasping it by the base of the tombstone and lifting up or use a clean cloth place it over the globe and remove. This should require no tools.



At this stage remove the quartz sleeve and clean it. To do so you will need a Phillips head

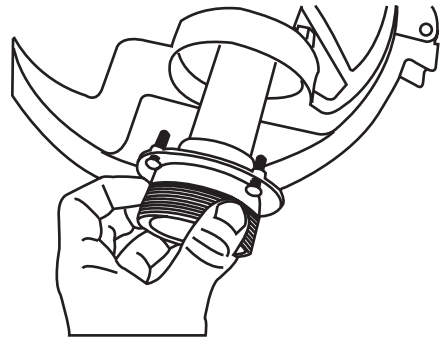
screwdriver, simply remove the 4 screws which surround the sleeve.



Carefully remove the sleeve and clean it with a soft cloth. **DO NOT USE DETERGENTS AS THE USE OF THESE WILL BE POTENTIALLY LETHAL TO POND INHABITANTS. DO NOT USE ANY ABRASIVE SCOURING PADS OR IMPLEMENTS.**

There is an O-ring which seals the unit. Check it, if it shows any signs of deterioration replace it. Ensure when reinstalling the O-ring that it lines up correctly.

Carefully reinstall the quartz sleeve and replace the 4 Phillips head screws. Remember the top of the sleeve is plastic and may become brittle with age, do not over tighten it.



Once complete reinsert the UV-C back into the sleeve and turn clockwise to tighten, do not over tighten.

Plug the unit back in and check for leaks.

Trouble Shooting

WARNING: Disconnect electrical supply before commencing any work on the filter.

1. FLOW COMING OUT OF THE FILTER IS SLOWING DOWN.

The filter sponges are blocked and require cleaning. Perform a back wash on a regular basis, this will ensure you filter is performing to its full potential. (See Backwashing Your Filter)

In extreme cases the filter media may be severely blocked. Disassemble the unit and clean the media. (See Setting Up Your Filter)

Check pipes for restrictions, blockages or breaks. Pipes that are buried under the ground could be crushed by rocks or the weight of soil on top of them, especially possible after prolonged periods of rainfall.

The intake to the pump in the pond could be blocked by leaves and debris. If the flow into the filter is restricted then this will mean less flow coming out.

2. THE PUMP FLOW RATE IS FINE UNTIL I CONNECT THE FILTER THEN IT DECREASES CONSIDERABLY

All pressurised filters will cause a frictional resistance in the pipe work. This means by there nature they will reduce the output of the pump. Depending on the size of the pump and pressure (Head Max) of the pump this could be up to a 50% reduction.

Try moving the pump closer to the inlet of the filter or raising the pump off the bottom of the pond to again bring it closer to the inlet.

The size of the hose used may also affect the flow of water through the filter. Use the largest hose size possible and remove the smaller size on the hose tails as they will restrict the flow considerably.

3. MY POND WAS CLEAR BUT NOW IT HAS GONE GREEN AND CLOUDY (UV Models Only)

Check the ultraviolet (UV) globe is still functioning. All globes should be replaced after 10,000 hours (12 months) maximum but they do loose effectiveness from the day they are first used.

The quartz sleeve which protects the UV globe may require cleaning, see Replacing/Cleaning UV-C for instruction on how to remove the quartz sleeve.

Check pH and hardness levels of your pond water, a filter can not perform correctly if the hardness is too low.

4. MY FILTER IS LEAKING

Check all restrictions as above. Normally leaks will occur when the water is not able to pass through the unit fast enough.

Check and replace foams. Foam structure breaks down over a period of time and normally they will need to be replaced once a year. When they break down the pond water can not pass through fast enough.

Check the O-ring which seals the lid to the canister and the O-ring which seals the quartz sleeve on the UV-C. They will deteriorate and require replacing periodically. Any time the unit is disassembled lubricate them using a pond safe lubricant.

Check the hose tails and hose clamps are tight and that the clamping ring is on and closed correctly.

Ensure the cleaning controller is switched to filtering mode.

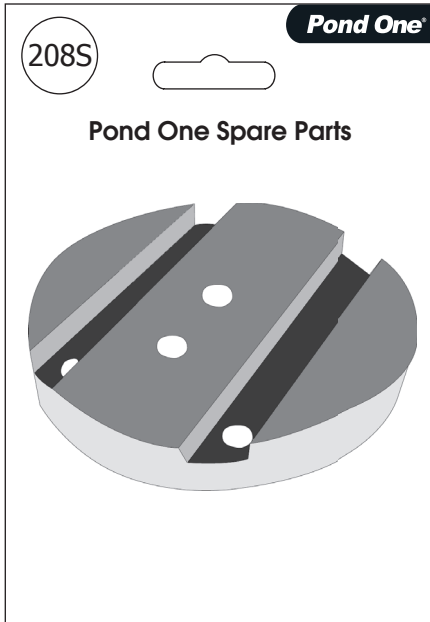
5. SINCE FIRST INSTALLING MY CLARITEC I HAVE NOT BEEN ABLE TO ACHIEVE CLEAR WATER OR GOOD WATER QUALITY

It could be the filter is too small for the biological loading being put upon it. This can be because the pond is too large, too many fish or more often the case over feeding of the fish which leads to a lot of uneaten food sinking to the bottom of the pond and decaying. Decaying food and leaves etc, causes the filter to have to work much harder. If the filter is only just big enough for your pond size this can mean that it can't cope. Recommended action. Clean pond and feed only what the fish consume in a few minutes, thus reducing the biological load on the filter and improving the all round health of the pond. In essence a filter will help maintain a clear healthy pond, it can not turn an extremely dirty soiled pond in to a pristine one without a lot of help from the pond owner.

Replacement Filter Media

Use Pond One Genuine Spare Parts Only. See your local Pond One Dealer and look for the number listed below for the spare part you require. Alternatively you will find some of these numbers on the silver label located on the product.

25ppi Sponge All Models	208S
20ppi Sponge All Models Not 3000/3000UV	209S
20ppi Sponge All Models	210S
15ppi Sponge All Models Not 3000/3000UV	211S
15ppi Sponge All Models	212S



Precision Manufactured in the P.R.C.
Designed in Australia by Aqua One
Distributed in Australia by:
Kong's (Aust.) Pty. Limited
48 Williamson Rd. Ingleburn
2565 NSW Australia

Distributed in New Zealand by:
Kong's (NZ) Limited
52 Glenlyon Avenue. Greerton
Tauranga New Zealand

Distributed in Hong Kong by:
Kong's Aquarium Supplies Co., Ltd
No 31, 3/F Thriving Industrial Centre
26-38 Sha Tsui Road, Tsuen Wan
Hong Kong

Distributed in the UK by:
Kong's (UK) Limited,
C/O Aqua Pacific UK Ltd.
PO Box 268
Romsey Hampshire
SO51 0WW
United Kingdom



www.pondone.com.au

Pond One and Kong's are registered trademarks or trademarks.






220 - 240V~50HZ






Specifications for The ClariTec Filter

Specifications for ClariTec Filters With UV-C

VOLTAGE: 220 - 240V~50HZ

Model	Dimensions and Capacity			Maximum Pond Sizes Suggested in litres			UV-C	Fittings in and out	Cable Length	Max Flow Litres / hour
	Height cm	Dia cm	Volume Litres							
3000UV	35	39	16.5L	3000	1500	750	9 watt	3/4" - 1.5"	10m	3000 L/hr
5000UV	46	39	21.5L	5000	2500	1250	9 watt	(19 - 37mm)	10m	5000 L/hr
10000UV	56	39	27.5L	10000	5000	2500	13 watt	3/4" - 1.5"	10m	10000 L/hr
15000UV	66	39	33.5L	15000	7500	3750	13 watt	(19 - 37mm)	10m	15000 L/hr

Specifications for ClariTec Filters Without UV-C

Model	Dimensions and Capacity			Maximum Pond Sizes Suggested in litres			UV-C	Fittings in and out	Cable Length	Max Flow Litres / hour
	Height cm	Dia cm	Volume Litres							
3000	35	39	16.5L	3000	1500	750	—	3/4" - 1.5"	10m	3000 L/hr
5000	46	39	21.5L	5000	2500	1250	—	(19 - 37mm)	10m	5000 L/hr
10000	56	39	27.5L	10000	5000	2500	—	3/4" - 1.5"	10m	10000 L/hr
15000	66	39	33.5L	15000	7500	3750	—	(19 - 37mm)	10m	15000 L/hr

Key



Ornamental pond with plants and few fish and less than average exposure to sun - no more than 6 hours a day full sunlight exposure



Typical pond with plants and average fish contents and average sun exposure



Heavily stocked pond with plants and larger fish or greater than average sun exposure

Pond One - Guarantee 2 + 1 Year

The additional 1 Year Extended Guarantee applies when you **REGISTER** with Pond One. See enclosed for details.

ATTENTION!

PLEASE RETAIN YOUR PROOF OF PURCHASE AND GUARANTEE

Congratulations on your purchase of a quality Pond One product. This product will last you many years under normal usage.

About this Guarantee

The Manufacturer or Distributor, of Pond One goods, is collectively known herein as "Pond One". Please refer to contact details for Pond One below or on the applicable Pond One website. Any product that is covered by its own Guarantee (as enclosed with the product) is subject to the conditions of that Guarantee.

The benefits given to the purchaser, under Guarantee, are in addition to all other statutory rights and remedies which the purchaser has in respect of goods under legislation in the applicable country of purchase. This Guarantee shall not affect any such rights and should be read subject to such legislation.

1.0. Terms and Conditions of Guarantee.

- 1.1. Pond One warrants to the purchaser, for 2 Years from date of original purchase, to repair or replace goods where fault is found due to defective materials or faulty workmanship and where goods do not operate in accordance with the instructions.
- 1.2. All claims for repair or replacement must be made at place of purchase.
- 1.3. The original and dated Proof of Purchase (receipt) must be supplied with all goods claims. Please also provide this Guarantee where possible.
- 1.4. All goods subject to claim under Guarantee should be prepared for transportation in the original packaging or other comparable packaging which offers the same degree of protection.
- 1.5. Where goods are repaired or replaced under Guarantee, these goods are Guaranteed for the remainder of either the original Guarantee or Extended Guarantee period.
- 1.6. Where claims on inspection reveal goods are in normal working order, Pond One will request reimbursement of all reasonable costs incurred.

2.0. Other Terms and Conditions – Extended Guarantee

- 2.1. The Extended Guarantee period is for an additional 1 Year and commences on expiration of the standard guarantee period.
- 2.2. Application for Extended Guarantee is FREE of any registration cost to the purchaser on completion of the Extended Guarantee questionnaire which may be found with the Pond One goods purchased or on the applicable Pond One website. (See below)
- 2.3. Upon receipt and acceptance of the questionnaire, Pond One will forward a Certificate of Extended Guarantee to the purchaser.
- 2.4. For more information on how we collect, hold, use and disclose personal information provided to us, please refer to our Privacy Statement on the Pond One websites or write to our Privacy Officer, in your country of purchase.
- 2.5. Where Pond One determines goods are being used in a manner contrary to the instructions, specifications or this Guarantee, Pond One reserves the right to terminate Extended Guarantee for such goods and will provide written notice to the purchaser.

3.0. Exclusions and Limitations

Where permitted by local law, the following exclusions and limitations apply in regard to the Guarantee:

- 3.1. Goods claims where fault is due to, but not limited by a) misuse b) neglect c) abuse d) fire or flood e) normal wear and tear f) accidental breakage g) Acts of God h) mains voltage fluctuation or supply problems i) connection to any voltage other than what is stated on the rating plate j) modification or tampering to electrical cord or plug, k) vermin, insects or foreign object l) liquid spillage or submersion of goods where goods are not designed to sustain such use or duress.
- 3.2. Where inspections reveal goods are in normal working order including where noise or vibration is consistent with normal goods operation.
- 3.3. Attempted repairs or modifications by unauthorised persons, including but not limited to modifications to the electrical lead or plug.
- 3.4. Where the goods factory rating plate has been removed, altered, damaged or is rendered illegible.
- 3.5. Where goods are not installed, operated or maintained in accordance with Pond One's goods instructions, specifications or this Guarantee.
- 3.6. Replacement or repair of worn consumables¹ or replacement of lost goods, parts or components.
- 3.7. Costs associated with goods transportation, removal, installation, postage or cost of insurance.
- 3.8. Any damage incurred whilst installing, transporting or moving the goods.
- 3.9. Subject to certain local statutory rights and obligations to the contrary, and this guarantee shall not affect those rights or obligations, where, to the full extent permitted by law:

1. all express and implied warranties and conditions under statute or general law, are expressly excluded and Pond One, where permitted, will limit liability as follows and at Pond One's option to: in regard to goods either a) the replacement of goods or supply of equivalent goods b) the repair of goods or the cost of replacing the goods or of acquiring equivalent goods OR in regard to services either c) the re-supply of services d) the cost to re-supply services.

2. Pond One will not be liable for any loss or damage, including consequential loss or damage either directly or indirectly, or for any incidental expenses, of any kind, and in any way whatsoever.

(1) Consumables include items such as filter media, filter cartridges, quartz sleeves, light tubes, lamps, bulbs and starters.

Pond One may be contacted in:

Australia
Kong's (Aust.) Pty. Limited
PO Box 863, Ingleburn
1890 NSW Australia
www.pondone.com.au

Hong Kong
Kong's Aquarium Supplies Co., Ltd
No 31, 3/F Thriving Industrial Centre
26-38 Sha Tsui Road, Tsuen Wan
Hong Kong
www.pondone.co.hk

New Zealand
Kong's (NZ) Limited
PO Box 15 - 183, Tauranga
3015 New Zealand
www.pondone.co.nz

United Kingdom
Kong's (UK) Limited
C/O Aqua Pacific UK Ltd
PO Box 268
Romsey Hampshire, SO51 0WW
United Kingdom
www.pondone.co.uk

